



# Hannay Reels®

The reel leader.

Hannay Reels, Inc.,  
553 State Route 143  
Westerlo, NY 12193-0159  
Telephone 1-518-797-3791 • Toll Free 1-877-GO-REELS (467-3357)  
FAX 1-800-REELING (733-5464)  
Website: [www.hannay.com](http://www.hannay.com)  
E-mail: [reels@hannay.com](mailto:reels@hannay.com)

## TSB 2013.08.007 Super Swivel Balanced Pressure Joint Seal Repair

Affected Reels: All  
Time Required: 10 mins  
Priority: Upon Failure  
Date Issued: August-2013

### Description:

This TSB explains how to repair a Super Swivel Balanced Pressure Joint's seals.

### Actions Required:

1. Remove snap ring(s).
2. Pull stem out of body.
3. Remove o-rings and backup rings from stem.
4. Clean stem and body.
5. Inspect stem and body for corrosion and wear.
6. Replace Swivel if corrosion or wear is found.
7. Assemble o-rings and backup rings onto stem as pictured.
8. Lubricate the o-rings and backup rings with suitable oil or grease.
9. Locate the chamfered side of the body and insert stem into body.
10. Install new snap rings making sure flat sides are out.
11. Install Swivel using Teflon tape on threads.

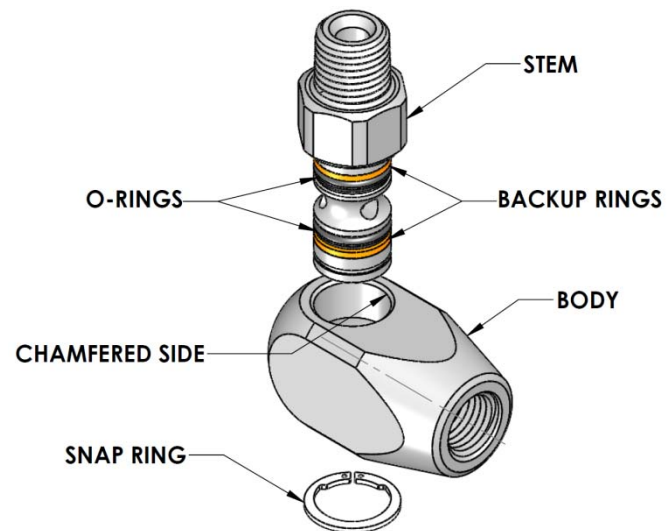


Figure 1 - 1/4" 90° H10.5M Live Swivel (10,500 psi High Pressure). Available with BUNA, EPDM, VITON seals

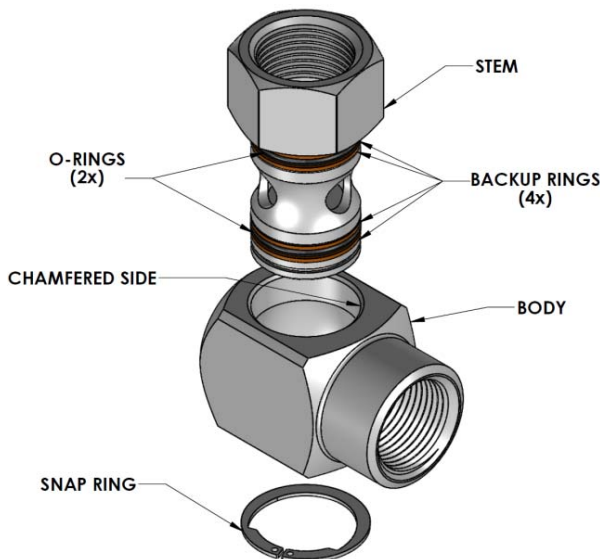


Figure 3 - 1" FxF 90° Balanced Pressure Super Swivel

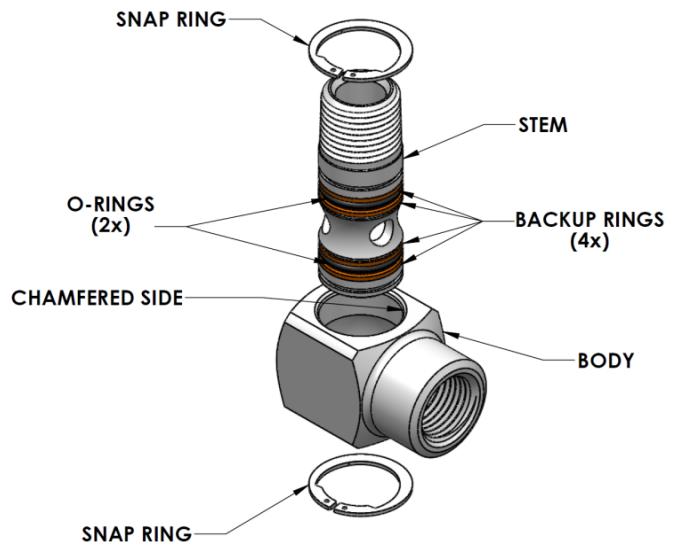


Figure 2 - 1/2" MxF 90° Balanced Pressure Super Swivel