

Assembly Instructions:

1. Remove all parts and assemblies from shipping container and check to be sure all necessary hardware is present.
2. (For AT1200 Only) Install spool assembly on frame by inserting four 3/8"-16 x 3/4" bolts downward through the spool support bracket. Tighten with 3/8" spinlock nuts.
3. Install push handle to rear of frame using four 3/8"-16 x 1-1/2" bolts, four 3/8" washers, and four 3/8" spinlock nuts.
4. Install both retaining clips on the push handle with one #10-32 x 1-1/4" round head screw and one #10-32 nut.
5. Install the black plastic rewind handle as shown using the provided 5/16" fasteners.
6. Adjust the cam-lock tension bolt as necessary.
7. Tighten all hardware.
8. On reels with a "GH" prefix install the 5' lead-in hose onto the swivel joint (may already be installed).

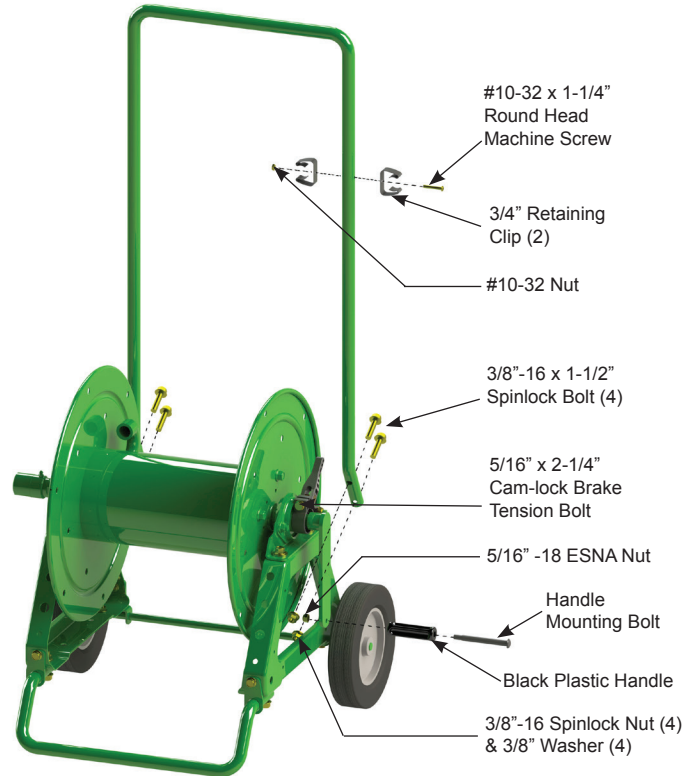


Figure 1: Model 1100 Hose Reel

Operation of Reel:

1. Make sure all hose connections are tight before using the reel.
2. Make sure the cam-lock brake lever is in the "up" position while winding and unwinding hose. Make sure the brake lever is in the "down" position when trying to lock the hose onto the reel.
3. Guiding the hose onto the reel with neat, tight wraps will ensure maximum hose capacity.

Maintenance of Reel:

1. Use rust preventative spray or Teflon tape on threaded hose connections when tightening to the reel.
2. Drain water from reel prior to long term storage.
3. Store indoors during off-season months.
4. For swivel joint maintenance, please see swivel maintenance sheet, **TSB 2013.08.007**.

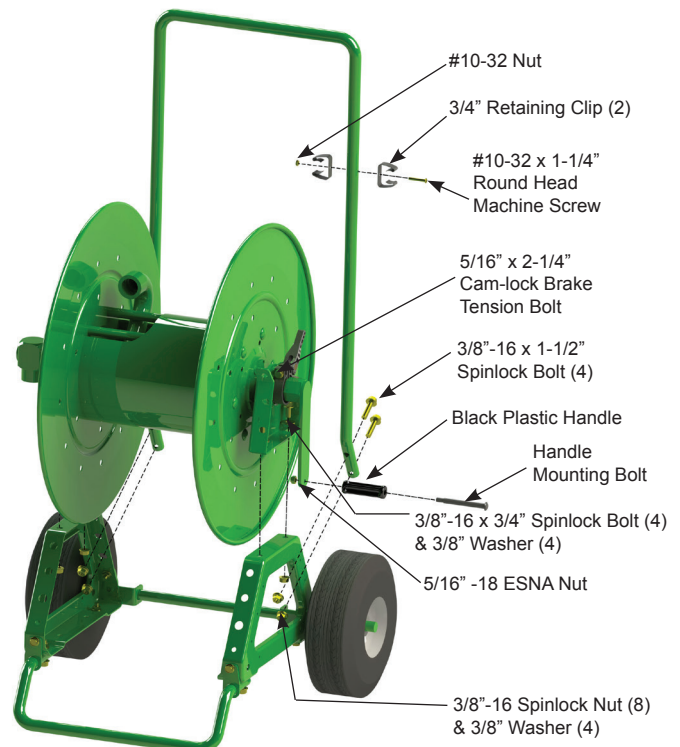


Figure 2: Model AT1200 Hose Reel