



Hannay Reels®
The reel leader.

Hannay Reels, Inc.,
553 State Route 143
Westerlo, NY 12193-0159
Telephone 1-518-797-3791 • Toll Free 1-877-GO-REELS (467-3357)
FAX 1-800-REELING (733-5464)
Website: www.hannay.com
E-mail: reels@hannay.com

TSB 2013.06.003

Changing a Hannay Spring Motor

Affected Reels: Spring Powered Reels

Time Required: 10 min

Priority: Upon Failure/Field Upgrade

Date Issued: June-2013

Description:

This TSB explains how to remove and reinstall a spring motor from a Hannay spring reel.

IMPORTANT: Make sure all tension from the spring has been removed before starting. Otherwise injury may occur.

Actions Required:

1. Release spring tension by carefully allowing the reel to spin until no longer powered by the spring.

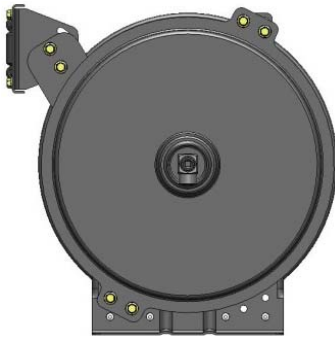


Figure 1 - Side View of Assembled Reel

2. Remove Dust Cap and, if present, spring side swivel joint

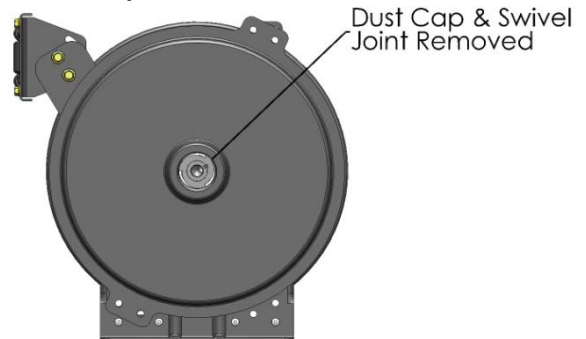


Figure 2 - Dust Cap and Swivel (If Present) Removed

3. Loosen all bolts holding the spring to the reel; depending on the model there may be up to 4 bolts. Note: when the lower bolts are removed, the spacer will fall from behind the spring. The figures depict an "N-Series" reel; if you have a standard reel it may appear different.

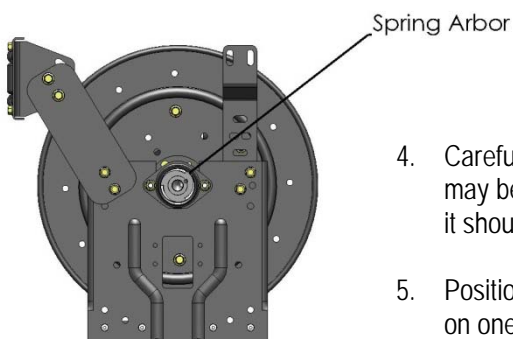
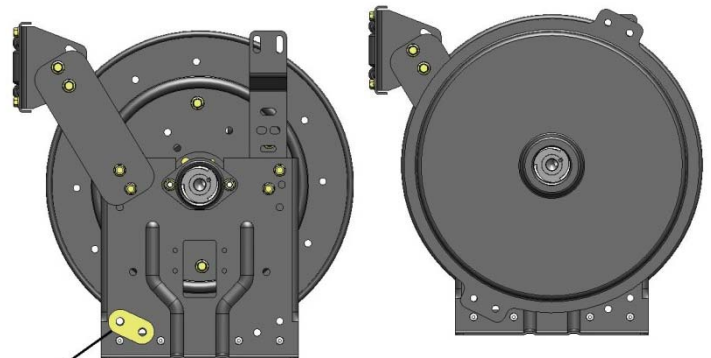


Figure 5 - Reel with Spring and Hardware Removed



Figures 1&4 - View Showing Spring Spacer (Normally Blocked by Spring) and Spring with No Hardware

4. Carefully remove the spring by sliding it off the center shaft. If the spring is larger, assistance may be needed to remove the spring. The spring motor clutch arbor should now be visible as it should remain attached to the shaft.
5. Position the new spring onto the reel, making sure to engage the hooked end of the spring on one of the 3 arbor lobes. Again, some assistance may be needed.

6. Retighten the bolts and spacers removed in step 3 and replace the dust cap and swivel joint from step 2.
7. Re-tension the reel according to Hannay TSB 2013.07.005 (Form H-9803-TSB).