

TSB 2013.06.001

Testing a Solenoid for a 12 or 24V Motor

Affected Reels: 12 or 24V DC Powered Reels

Time Required: <5min

Priority: Upon Failure

Date Issued: June-2013

Description:

This TSB is to outline the testing procedures for troubleshooting a control solenoid for a 12 or 24V DC motor.

Actions Required:

1. Connect Red (hot) lead of battery to terminal #1 of the solenoid.
2. Connect Black (ground) lead of battery to mounting bracket ear on the solenoid.
3. Run a jumper cable from the hot lead (terminal #1 on solenoid) to the switch return (terminal #3 on solenoid). The solenoid should make an audible "click."
4. Check voltage between terminal #2 on solenoid and the mounting ear, it should be 12 or 24V dependant on battery used.
5. If solenoid passes check motor or switch.

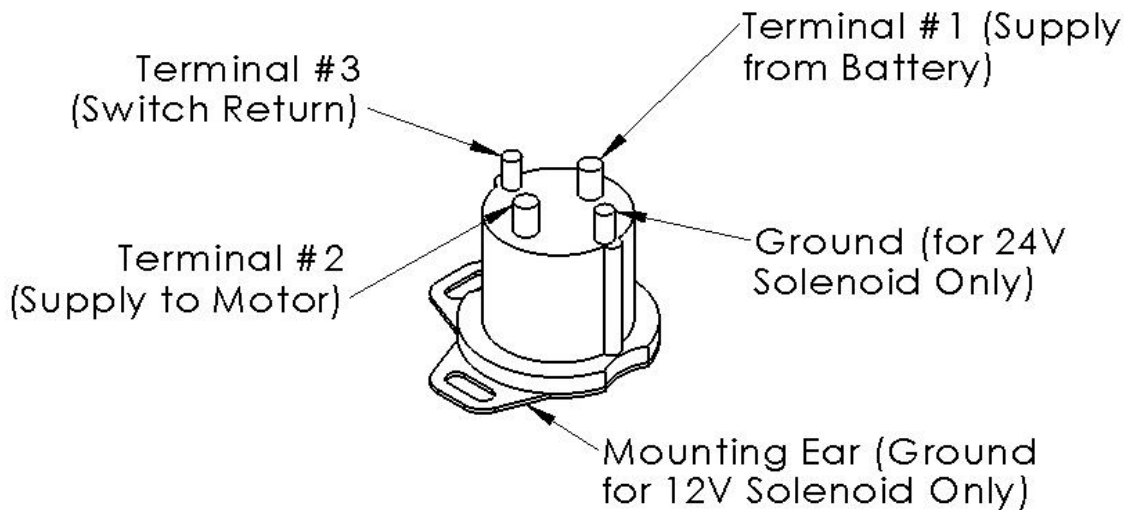


Figure 1 Illustration of Solenoid Identifying Terminals

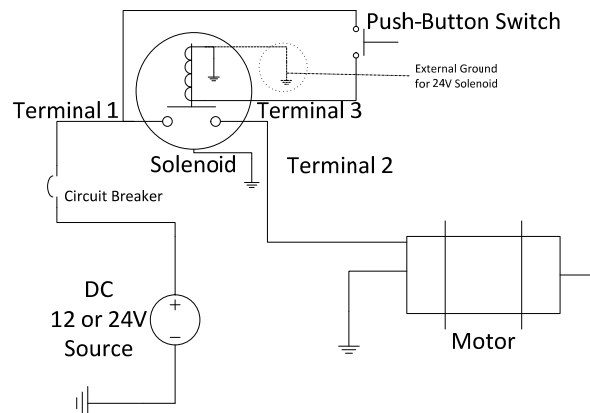


Figure 2 Circuit Diagram for Solenoid/Motor