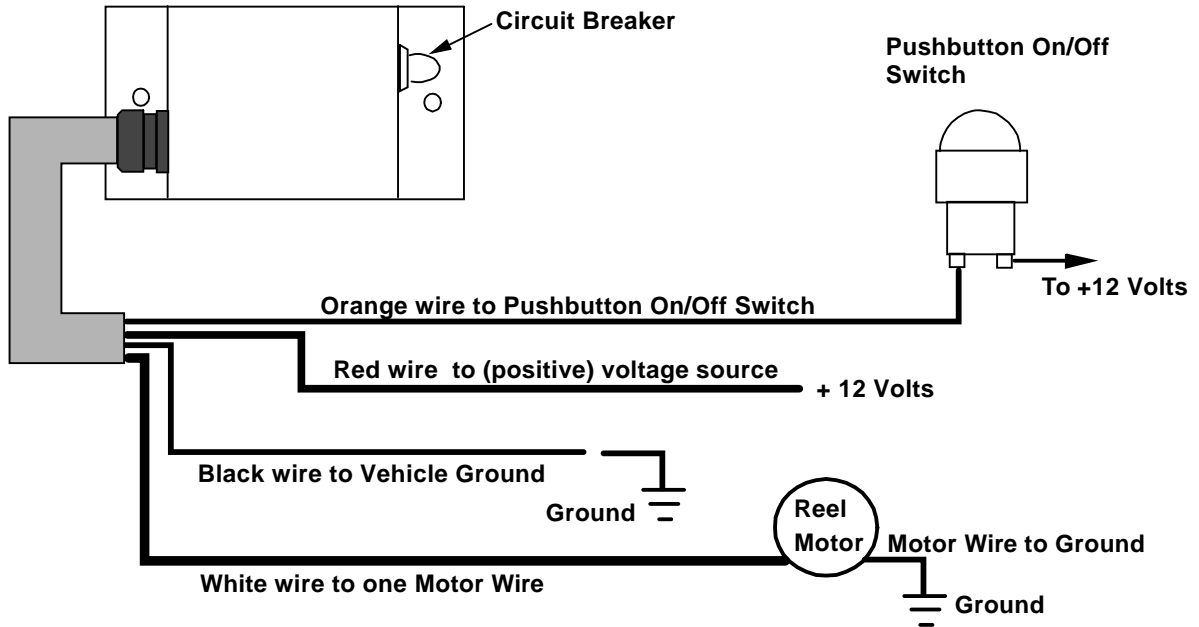

Wiring Instructions for RCB-12, RCB-25, and RCB-40

Note:

If +12 Volts will be used to connect through the Pushbutton On/Off Switch, then use Figure A wiring instructions.



Note:

If Ground will be used to connect through the Pushbutton On/Off Switch, then use Figure B wiring instructions.

