

MD1225S and MD1240S Instructions

Application:

The **MD1225S** (25 Amp) and **MD1240S** (40 Amp) are Motor Speed Controls with the required components to provide the Motor On/Off Switching function as well as the speed control function.

The controls are intended for a 12 Volt PMDC (Permanent Magnet DC) motor, no larger than 1/3 h.p. for the MD1225S and no larger than 1/2 h.p. for the MD1240S.

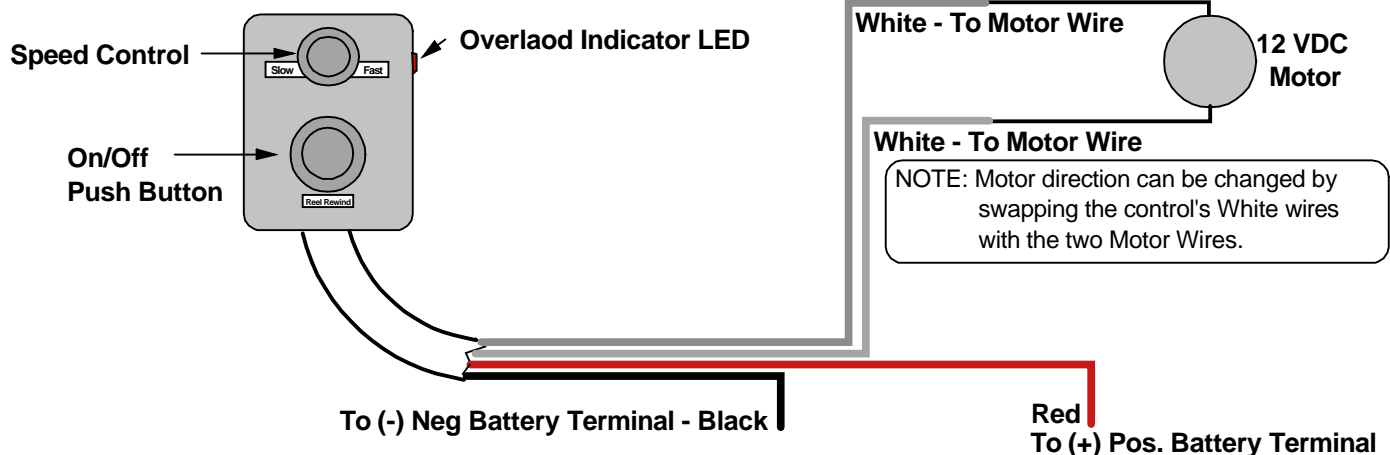
If the motor is larger than 1/2 h.p. or for labor intensive applications, such as hydrojetting, then you must purchase the MD12HDS speed control with on/off switch.

Mounting: Remove the nuts from the mounting studs and use 1/4" lockwashers and nuts to secure the control to your mounting site.

Wiring Instructions:

The Control's Red wire and Black wire must be connected directly to the vehicle battery with 10 gauge wire if less than 8 feet to the battery. 8 gauge wire if 8 to 20 feet. 6 gauge if over 20 feet to the battery. Grounding the Black wire to the truck body is too high resistance and will cause a control failure. If using ring terminals, use the appropriate crimper to acquire a secure crimp and/or solder the barrel of the connector. Use dielectric grease for all bolt on electrical connections.

CAUTION: The wires from the Motor must not be connected to anything on the vehicle. They are to be connected to the Speed Control wires only.



CAUTION: Do not connect the Black wire to the positive battery terminal and do not connect the Red wire to the negative battery terminal. This will cause a dead short condition across your battery terminals which will result in the circuit breaker tripping and will cause damage to the Speed / Switch Control unit. Do not use a motor direction, or reversing, switch on the Red and Black wires.

Warranty:

The control is warranted by the manufacturer to be defect free from faulty materials or workmanship. If any defect is found within the 1 Year Warranty period, the company will repair the equipment without charge for materials and labor. After the 1 Year Warranty period, the customer may send the unit in for a repair quote.